

AXOR Starck X
Single lever shower mixer for concealed installation
 Surfaces: **Chrome** Article Number: **10645000**



Description

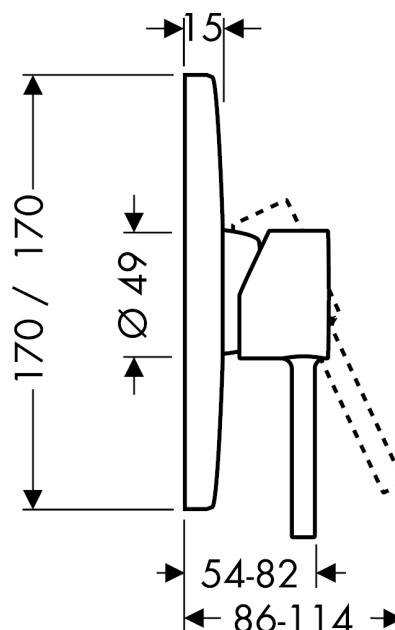
product features

- 1 outlet
- connection type: basic set
- flow rate at 3 bar: 30 l/min
- ceramic cartridge
- min. operating pressure: 1 bar
- max. operating pressure: 10 bar
- temperature limitation adjustable
- with silencer
- suitable for continuous flow water heaters
- DVGW NW-6506CQ0125
- ETA VA 1.42/18751
- ACS 19 ACC LY 233, valide jusqu'au 09.12.2023
- WRAS 1905003
- JWWA E-382
- Kiwa K6161_Mechanical Mixers EN817
- SVGW 0411-4903
- SINTEF 1426

Product image



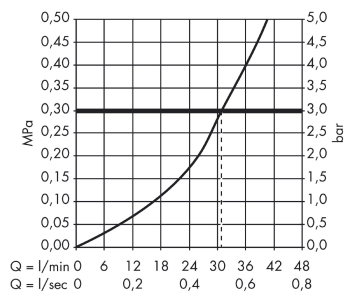
Scale drawing



AXOR Starck X
Single lever shower mixer for concealed installation
Surfaces: **Chrome** Article Number: **10645000**



Flowchart

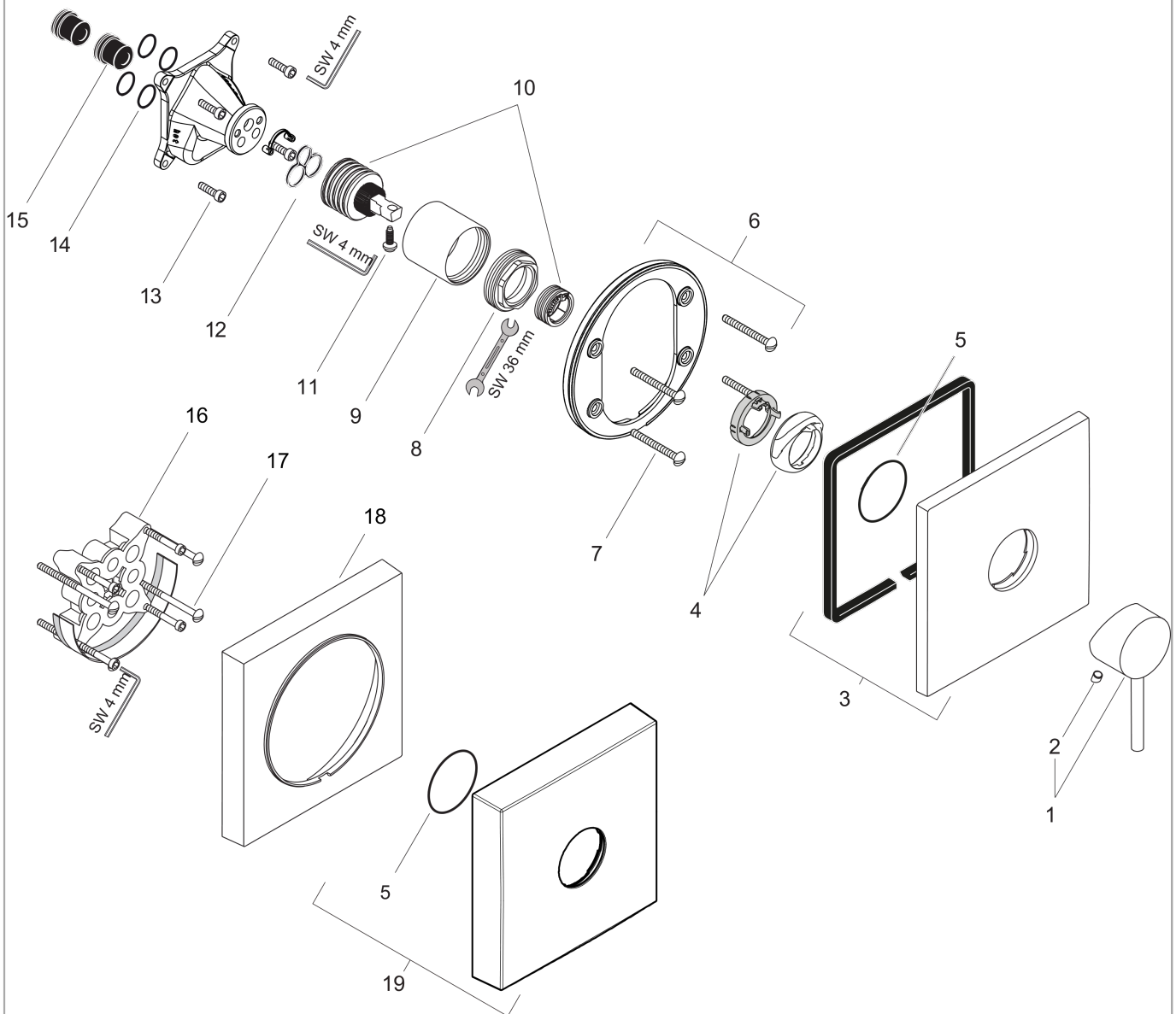


AXOR Starck X
Single lever shower mixer for concealed installation
 Surfaces: **Chrome** Article Number: **10645000**



Exploded Drawing

Year of production: >05/12



AXOR Starck X
Single lever shower mixer for concealed installation
 Surfaces: **Chrome** Article Number: **10645000**



Spare part list

Year of production: >05/12

Pos.	Description	Article Number	PC	PU
1	handle	10490000	14	1
2	screw cover	96338000	1	1
3	escutcheon	97449000	12	1
4	flange (Rotating Protector)	96395000	9	1
5	O-Ring 48x3	95508000	1	1
6	holder for escutcheon	98793000	9	1
7	set of fixing screws	96454000	3	1
8	nut	96461000	8	1
9	sleeve	95980000	12	1
10	cartridge, assy	92730000	11	1
11	locking screw for handle	95140000	2	1
12	seal	95008000	3	1
13	set of screws	96525000	3	1
14	O-ring 16x2	98133000	1	1
15	noise reduction	94073000	7	1
16	extension 25 mm	13595000	98	1
17	set of fixing screws	97747000	1	1
18	extension 22 mm	97407000	98	1
19	escutcheon height = 33 mm (when wall is not deep enough).	14965000	98	1
a	concealed item	01800180	98	1
b	adapter for exchanged connections	93181000	18	1